



US 20170111733A1

(19) **United States**

(12) **Patent Application Publication**  
**Litovsky et al.**

(10) **Pub. No.: US 2017/0111733 A1**

(43) **Pub. Date: Apr. 20, 2017**

(54) **ACOUSTIC DEVICE**

**Publication Classification**

(71) Applicant: **Bose Corporation**, Framingham, MA (US)

(51) **Int. Cl.**  
**H04R 1/32** (2006.01)  
**H04R 3/12** (2006.01)  
**H04R 1/02** (2006.01)

(72) Inventors: **Roman N. Litovsky**, Newton, MA (US); **Bojan Rip**, Newton, MA (US); **Joseph M. Geiger**, Clinton, MA (US); **Chester S. Williams**, Lexington, MA (US); **Pelham Norville**, Framingham, MA (US)

(52) **U.S. Cl.**  
CPC ..... **H04R 1/323** (2013.01); **H04R 1/026** (2013.01); **H04R 3/12** (2013.01)

(21) Appl. No.: **15/393,890**

(57) **ABSTRACT**

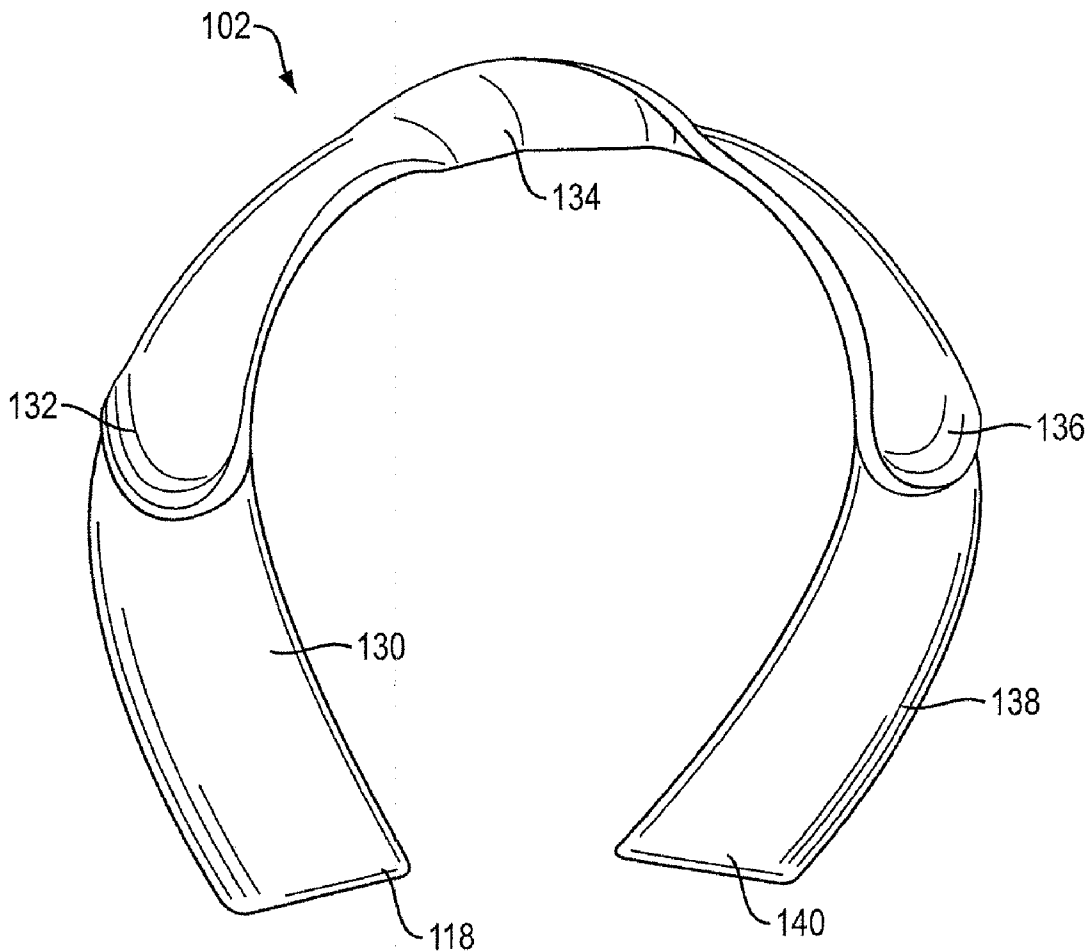
(22) Filed: **Dec. 29, 2016**

**Related U.S. Application Data**

(63) Continuation of application No. 14/799,265, filed on Jul. 14, 2015, now Pat. No. 9,571,917.

(60) Provisional application No. 62/026,237, filed on Jul. 18, 2014.

An acoustic device that has a neck loop that is constructed and arranged to be worn around the neck. The neck loop includes a housing with a first acoustic waveguide having a first sound outlet opening, and a second acoustic waveguide having a second sound outlet opening. There is a first open-backed acoustic driver acoustically coupled to the first waveguide and a second open-backed acoustic driver acoustically coupled to the second waveguide.



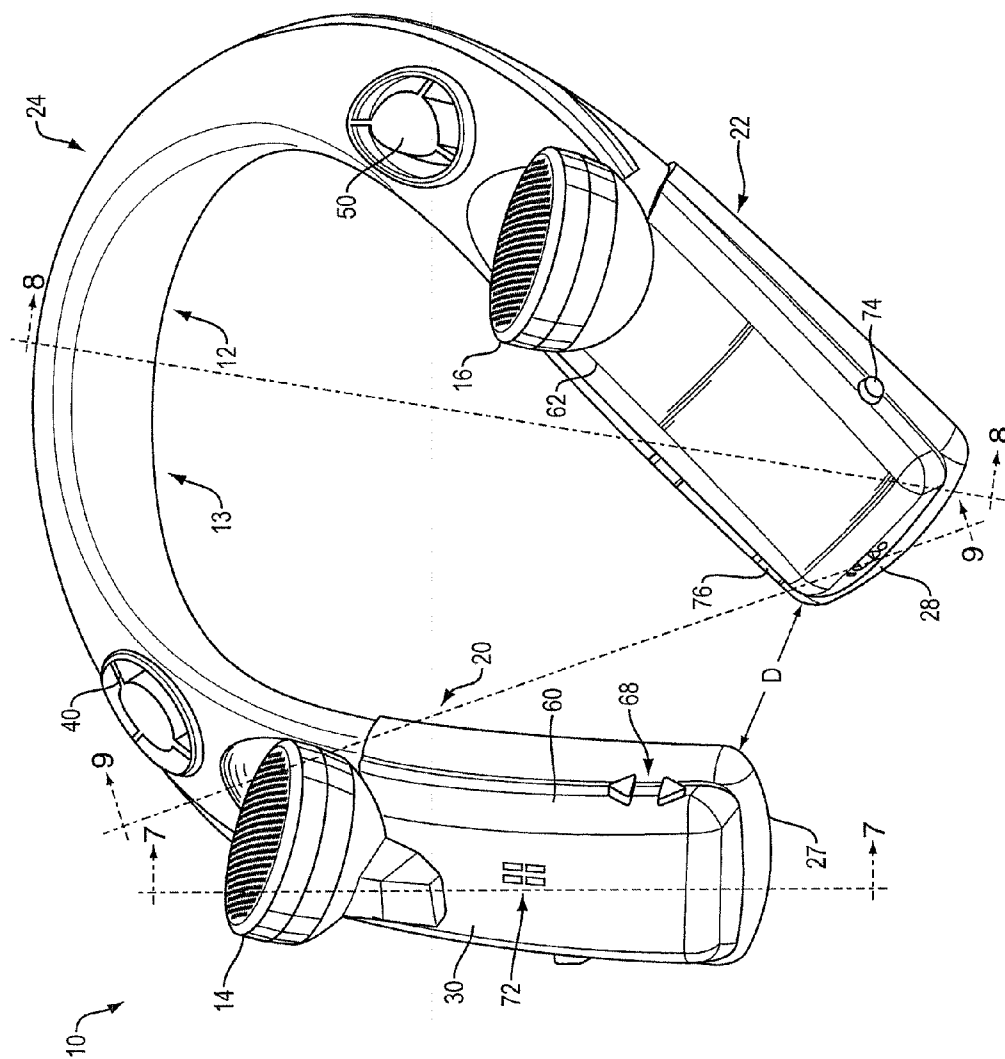


FIG. 1

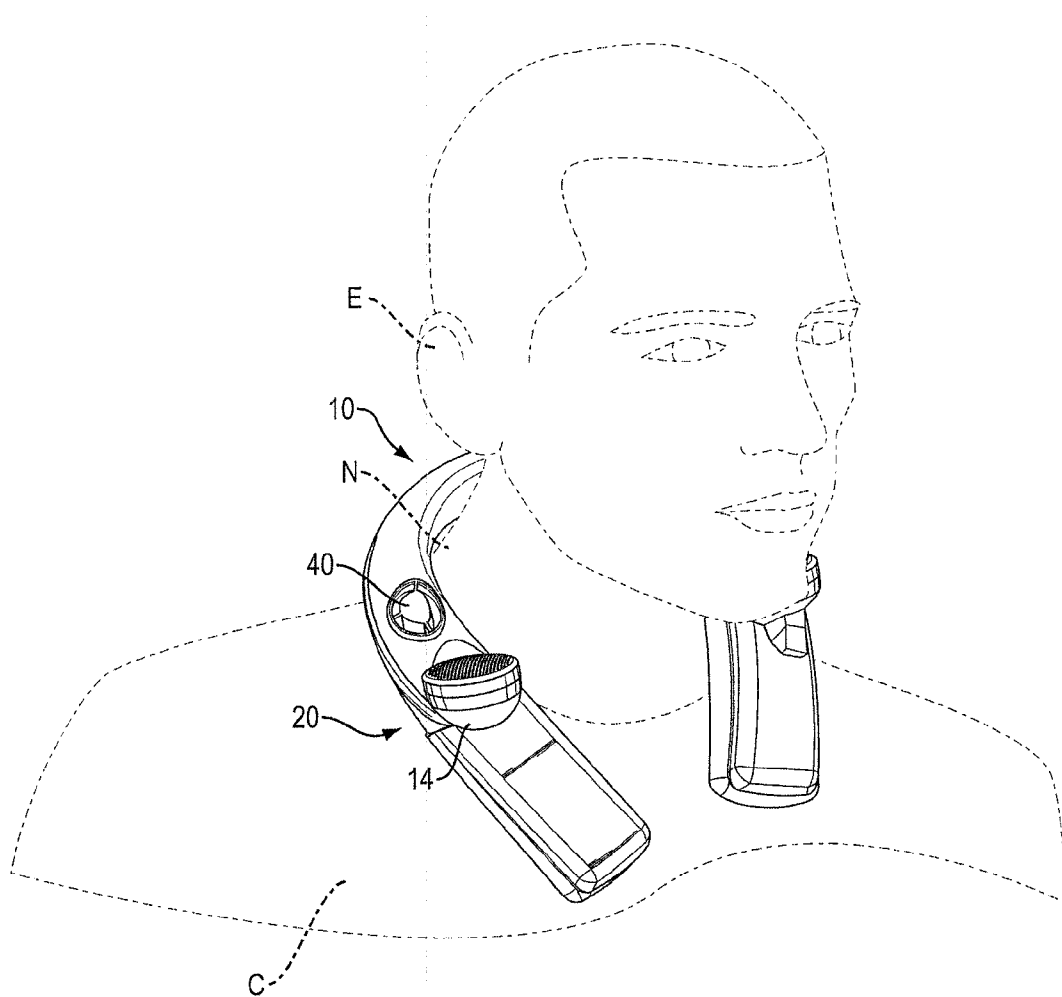


FIG. 2

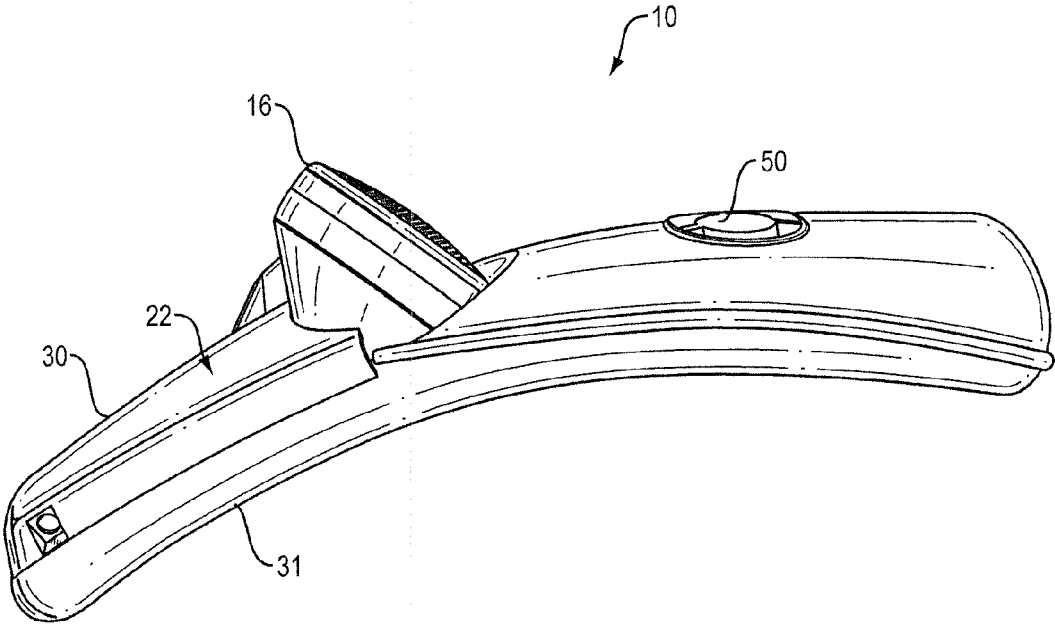


FIG. 3

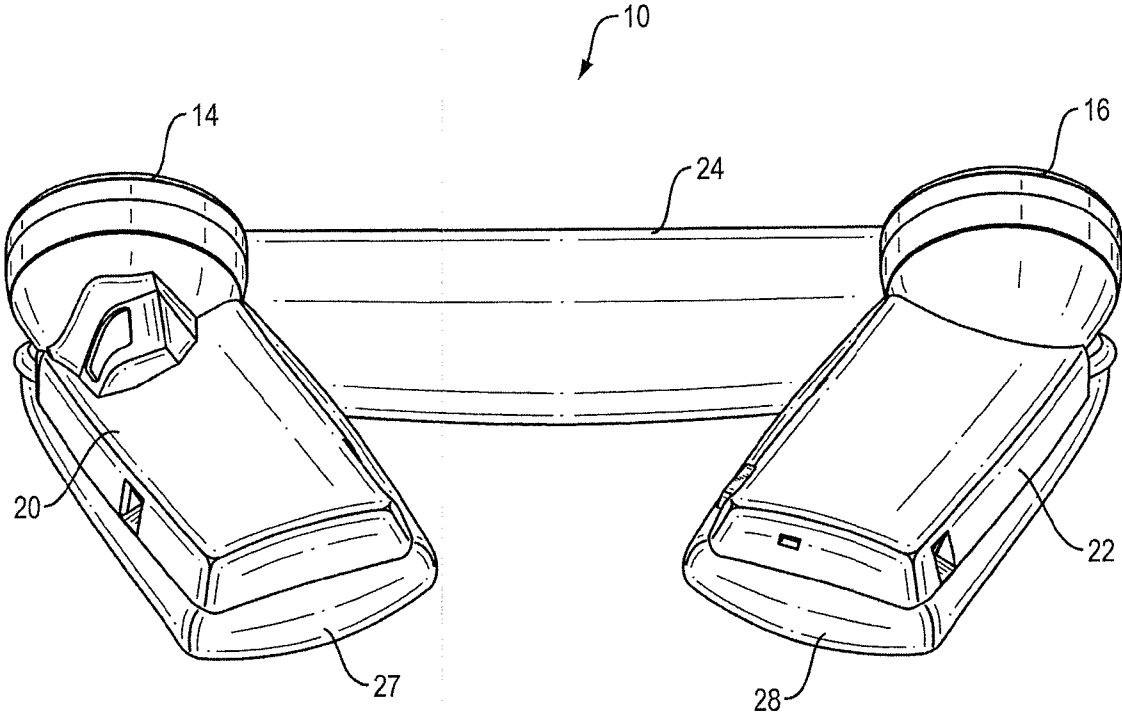


FIG. 4

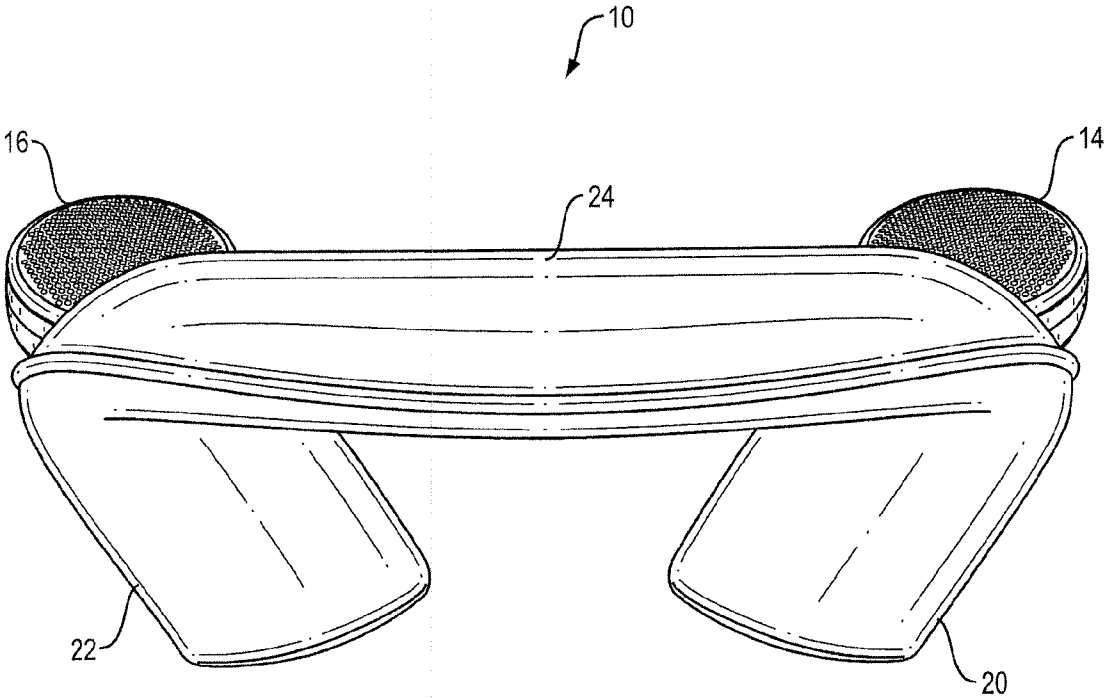


FIG. 5

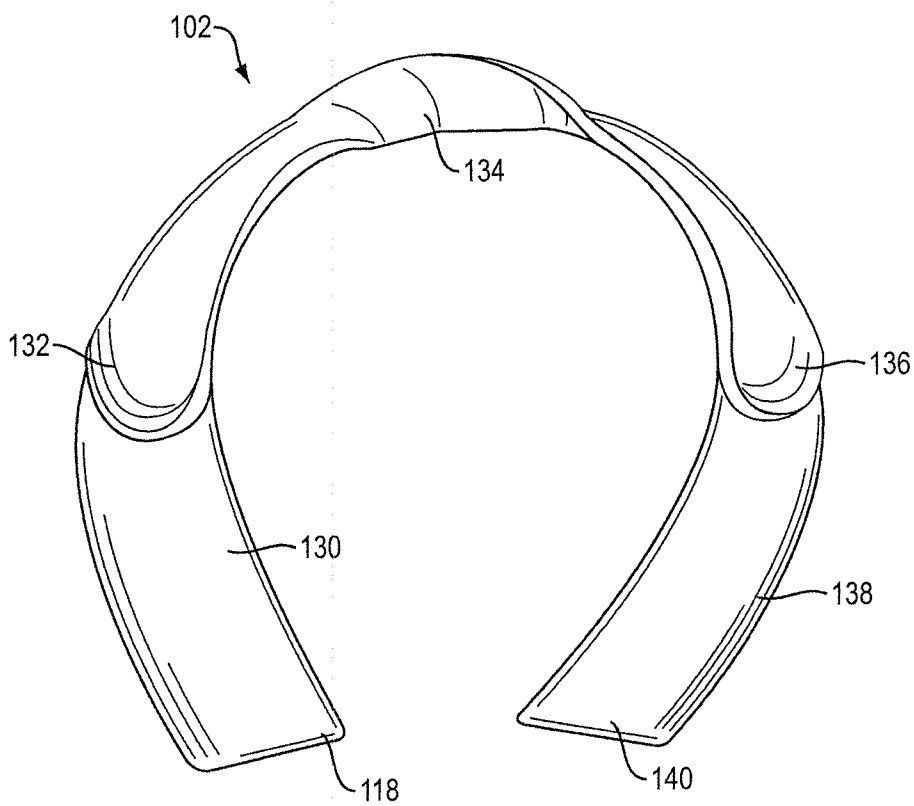


FIG. 6

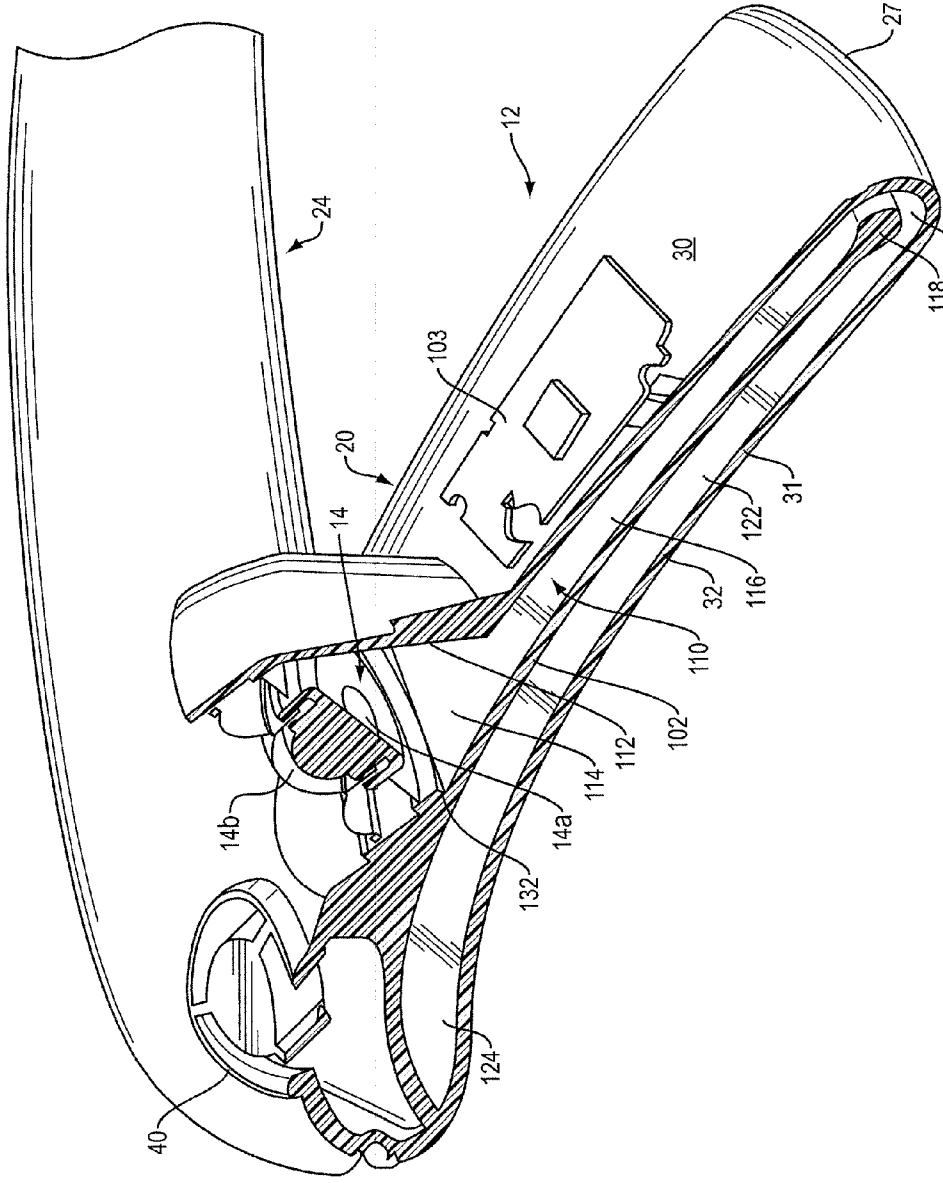


FIG. 7



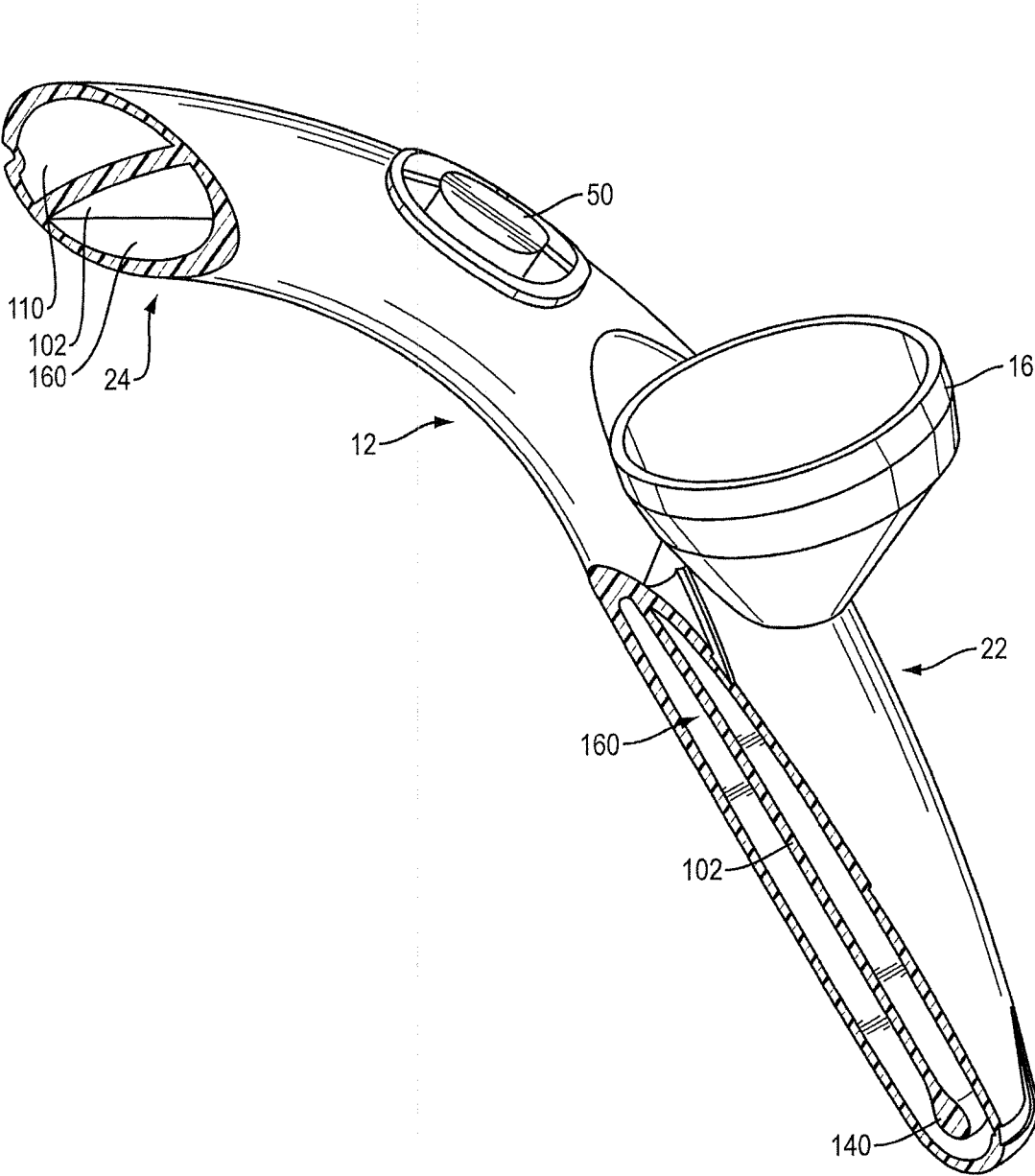


FIG. 8

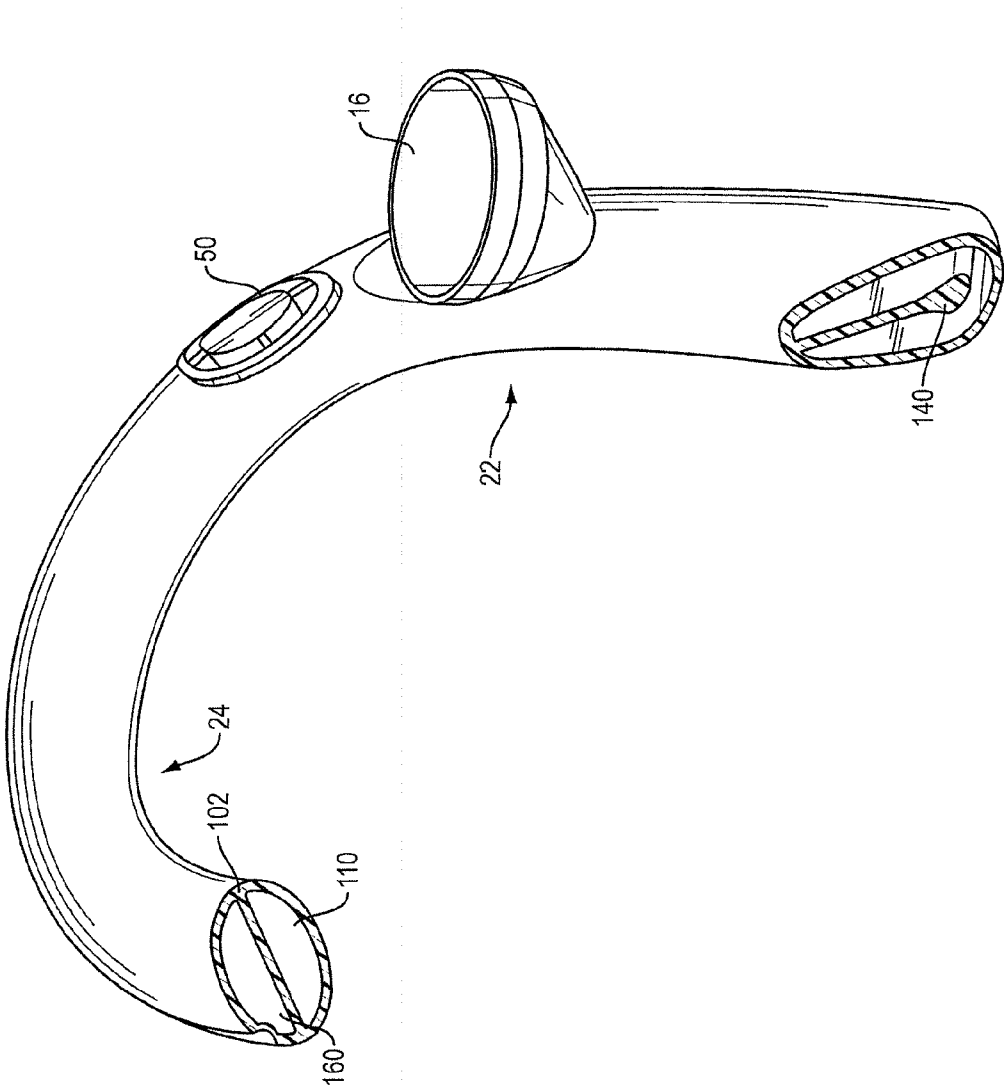


FIG. 9

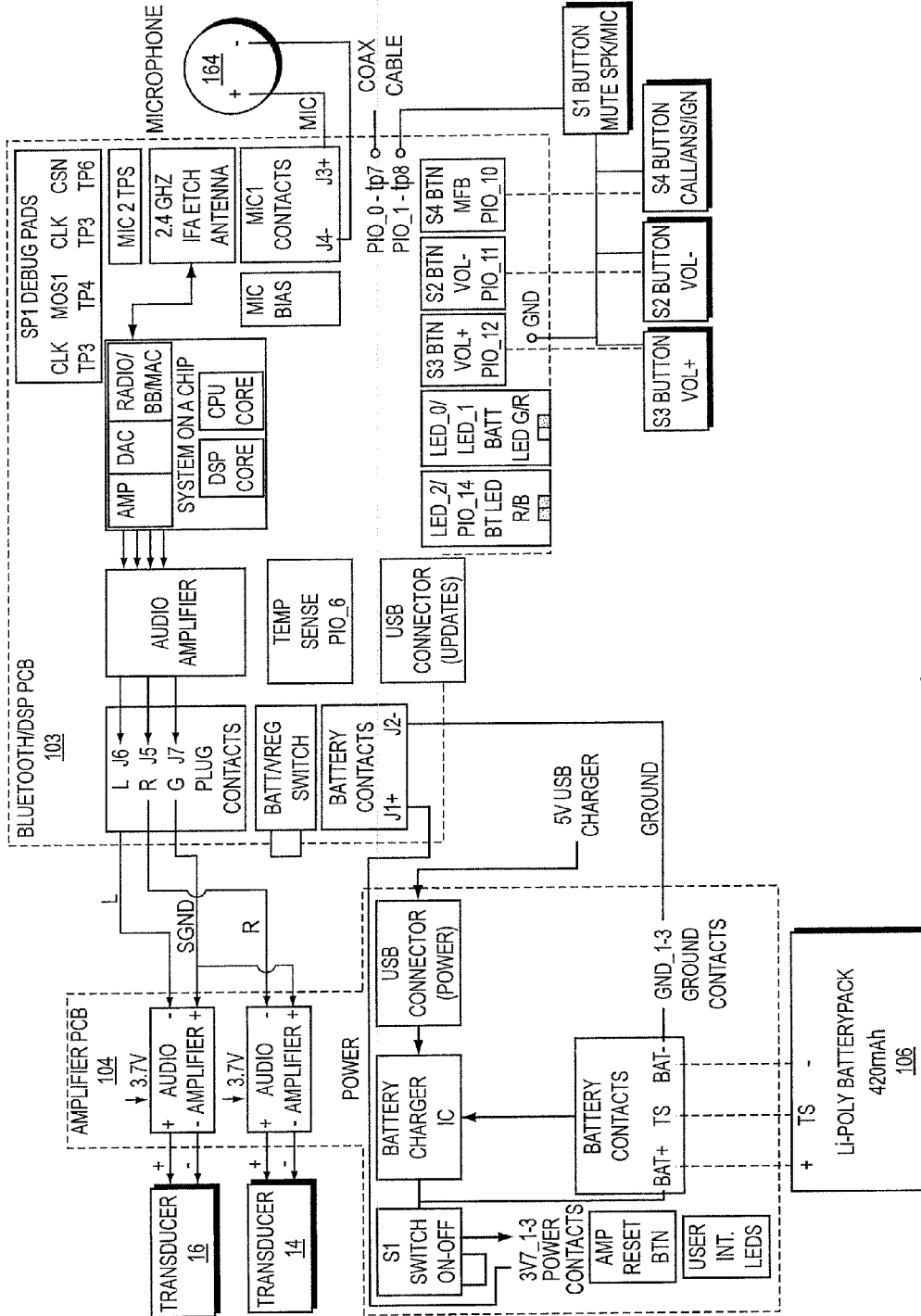


FIG. 10

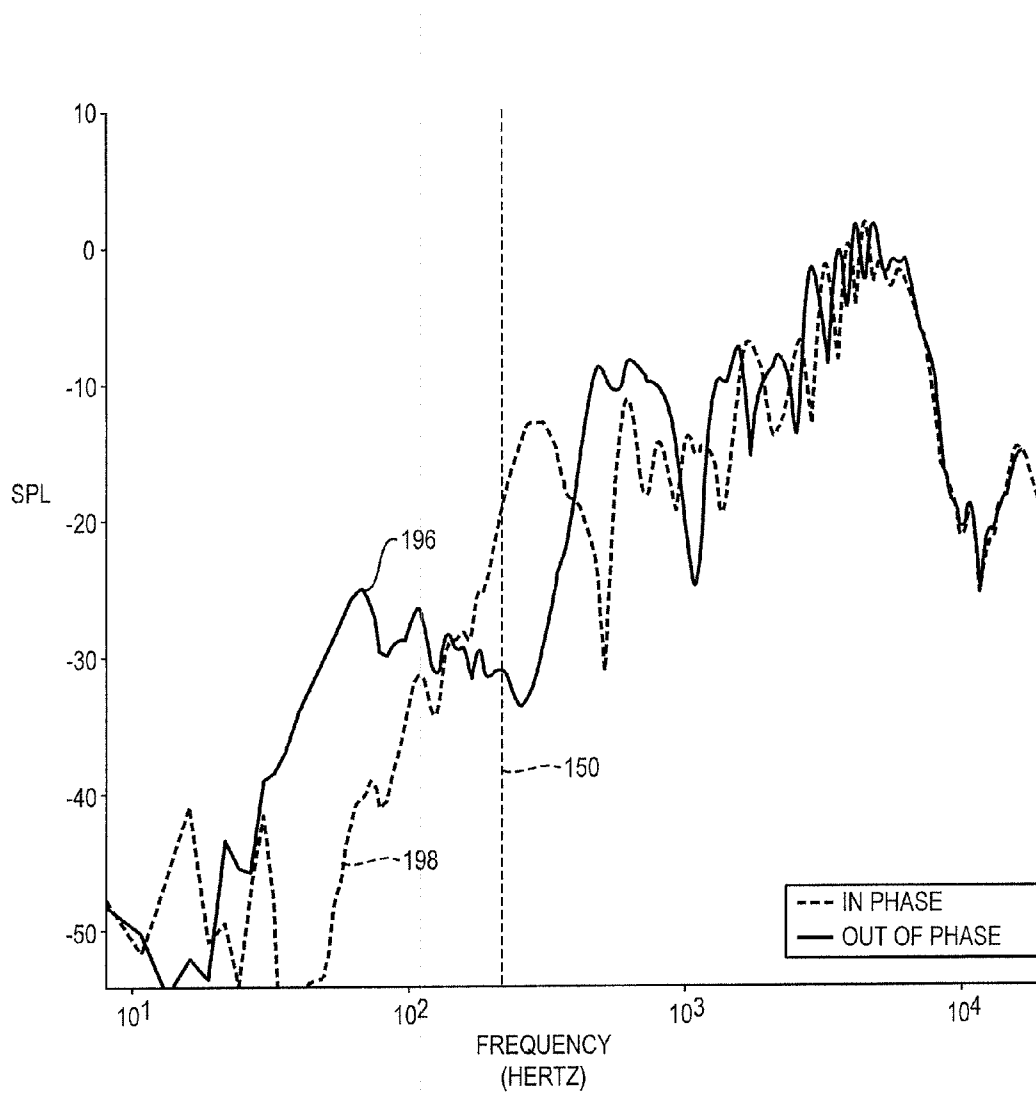


FIG. 11

**ACOUSTIC DEVICE**

**CROSS-REFERENCE TO RELATED APPLICATIONS**

**[0001]** This application is a Continuation of and claims benefit from U.S. patent application Ser. No. 14/799,265, filed on Jul. 14, 2015, which itself claims benefit from U.S. Provisional Patent Application No. 62/026,237, filed on Jul. 18, 2014. The entire contents of both priority applications are incorporated herein by reference.

**BACKGROUND**

**[0002]** This disclosure relates to an acoustic device.  
**[0003]** Headsets have acoustic drivers that sit on, over or in the ear. They are thus somewhat obtrusive to wear, and can inhibit the user’s ability to hear ambient sounds.

**SUMMARY**

**[0004]** All examples and features mentioned below can be combined in any technically possible way.

**[0005]** The present acoustic device directs high quality sound to each ear without acoustic drivers on, over or in the ears. The acoustic device is designed to be worn around the neck. The acoustic device may comprise a neck loop with a housing. The neck loop may have a “horseshoe”-like, or generally “U” shape, with two legs that sit over or near the clavicles and a curved central portion that sits behind the neck. The acoustic device may have two acoustic drivers; one on each leg of the housing. The drivers may be located below the expected locations of the ears of the user, with their acoustic axes pointed at the ears. The acoustic device may further include two waveguides within the housing, each one having an exit below an ear, close to a driver. The rear side of one driver may be acoustically coupled to the entrance to one waveguide and the rear side of the other driver may be acoustically coupled to the entrance to the other waveguide. Each waveguide may have one end with the driver that feeds it located below one ear (left or right), and the other end (the open end) located below the other ear (right or left), respectively.

**[0006]** The waveguides may fold over one another within the housing. The waveguides may be constructed and arranged such that the entrance and exit to each one is located at the top side of the housing. The waveguides may be constructed and arranged such that each one has a generally consistent cross-sectional area along its length. The waveguides may be constructed and arranged such that each one begins just behind one driver, runs down along the top portion of the housing in the adjacent leg of the neck loop to the end of the leg, turns down to the bottom portion of the housing and turns 180 degrees to run back up the leg, then across the central portion and back down the top portion of the other leg, to an exit located just posteriorly of the other driver. Each waveguide may flip position from the bottom to the top portion of the housing in the central portion of the neck loop.

**[0007]** In one aspect, an acoustic device includes a neck loop that is constructed and arranged to be worn around the neck. The neck loop includes a housing with comprises a first acoustic waveguide having a first sound outlet opening, and a second acoustic waveguide having a second sound outlet opening. There is a first open-backed acoustic driver

acoustically coupled to the first waveguide and a second open-backed acoustic driver acoustically coupled to the second waveguide.

**[0008]** Embodiments may include one of the following features, or any combination thereof. The first and second acoustic drivers may be driven such that they radiate sound that is out of phase, over at least some of the spectrum. The first open-backed acoustic driver may be carried by the housing and have a first sound axis that is pointed generally at the expected location of one ear of the user, and the second open-backed acoustic driver may also be carried by the housing and have a second sound axis that is pointed generally at the expected location of the other ear of the user. The first sound outlet opening may be located proximate to the second acoustic driver and the second sound outlet opening may be located proximate to the first acoustic driver. Each waveguide may have one end with its corresponding acoustic driver located at one side of the head and in proximity to and below the adjacent ear, and another end that leads to its sound outlet opening, located at the other side of the head and in proximity to and below the other, adjacent ear.

**[0009]** Embodiments may include one of the above or the following features, or any combination thereof. The housing may have an exterior wall, and the first and second sound outlet openings may be defined in the exterior wall of the housing. The waveguides may both be defined by the exterior wall of the housing and an interior wall of the housing. The interior wall of the housing may lie along a longitudinal axis that is twisted 180° along its length. The neck loop may be generally “U”-shaped with a central portion and first and second leg portions that depend from the central portion and that have distal ends that are spaced apart to define an open end of the neck loop, wherein the twist in the housing interior wall is located in the central portion of the neck loop. The interior wall of the housing may be generally flat and lie under both sound outlet openings. The interior wall of the housing may comprise a raised sound diverter underneath each of the sound outlet openings. The housing may have a top that faces the ears when worn by the user, and wherein the first and second sound outlet openings are defined in the top of the housing.

**[0010]** Embodiments may include one of the above or the following features, or any combination thereof. The housing may have a top portion that is closest to the ears when worn by the user and a bottom portion that is closest to the torso when worn by the user, and each waveguide may lie in part in the top portion of the housing and in part in the bottom portion of the housing. The neck loop may be generally “U”-shaped with a central portion and first and second leg portions that depend from the central portion and that have distal ends that are spaced apart to define an open end of the neck loop. The twist in the housing interior wall may be located in the central portion of the neck loop. The first acoustic driver may be located in the first leg portion of the neck loop and the second acoustic driver may be located in the second leg portion of the neck loop. The first waveguide may begin underneath the first acoustic driver, extend along the top portion of the housing to the distal end of the first leg portion of the neck loop and turn to the bottom portion of the housing and extend along the first leg portion into the central portion of the neck loop where it turns to the top portion of the housing and extends into the second leg portion to the first sound outlet opening. The second waveguide may begin

underneath the second acoustic driver, extend along the top portion of the housing to the distal end of the second leg portion of the neck loop where it turns to the bottom portion of the housing and extends along the second leg portion into the central portion of the neck loop where it turns to the top portion of the housing and extends into the first leg portion to the second sound outlet opening.

[0011] In another aspect an acoustic device includes a neck loop that is constructed and arranged to be worn around the neck, the neck loop comprising a housing that comprises a first acoustic waveguide having a first sound outlet opening, and a second acoustic waveguide having a second sound outlet opening, a first open-backed acoustic driver acoustically coupled to the first waveguide, where the first open-backed acoustic driver is carried by the housing and has a first sound axis that is pointed generally at the expected location of one ear of the user, a second open-backed acoustic driver acoustically coupled to the second waveguide, where the second open-backed acoustic driver is carried by the housing and has a second sound axis that is pointed generally at the expected location of the other ear of the user, wherein the first sound outlet opening is located proximate to the second acoustic driver and the second sound outlet opening is located proximate to the first acoustic driver, and wherein the first and second acoustic drivers are driven such that they radiate sound that is out of phase.

[0012] Embodiments may include one of the following features, or any combination thereof. The waveguides may both be defined by the exterior wall of the housing and an interior wall of the housing, and wherein the interior wall of the housing lies along a longitudinal axis that is twisted 180° along its length. The neck loop may be generally “U”-shaped with a central portion and first and second leg portions that depend from the central portion and that have distal ends that are spaced apart to define an open end of the neck loop, wherein the twist in the housing interior wall is located in the central portion of the neck loop. The housing may have a top portion that is closest to the ears when worn by the user and a bottom portion that is closest to the torso when worn by the user, and wherein each waveguide lies in part in the top portion of the housing and in part in the bottom portion of the housing.

[0013] In another aspect an acoustic device includes a neck loop that is constructed and arranged to be worn around the neck, the neck loop comprising a housing that comprises a first acoustic waveguide having a first sound outlet opening, and a second acoustic waveguide having a second sound outlet opening, wherein the waveguides are both defined by the exterior wall of the housing and an interior wall of the housing, and wherein the interior wall of the housing lies along a longitudinal axis that is twisted 180° along its length, wherein the neck loop is generally “U”-shaped with a central portion and first and second leg portions that depend from the central portion and that have distal ends that are spaced apart to define an open end of the neck loop, wherein the twist in the housing interior wall is located in the central portion of the neck loop, wherein the housing has a top portion that is closest to the ears when worn by the user and a bottom portion that is closest to the torso when worn by the user, and wherein each waveguide lies in part in the top portion of the housing and in part in the bottom portion of the housing. There is a first open-backed acoustic driver acoustically coupled to the first waveguide, where the first open-backed acoustic driver is located in the first leg portion

of the neck loop and has a first sound axis that is pointed generally at the expected location of one ear of the user. There is a second open-backed acoustic driver acoustically coupled to the second waveguide, where the second open-backed acoustic driver is located in the second leg portion of the neck loop and has a second sound axis that is pointed generally at the expected location of the other ear of the user. The first and second acoustic drivers are driven such that they radiate sound that is out of phase. The first sound outlet opening is located proximate to the second acoustic driver and the second sound outlet opening is located proximate to the first acoustic driver. The first waveguide begins underneath the first acoustic driver, extends along the top portion of the housing to the distal end of the first leg portion of the neck loop where it turns to the bottom portion of the housing and extends along the first leg portion into the central portion of the neck loop where it turns to the top portion of the housing and extends into the second leg portion to the first sound outlet opening, and the second waveguide begins underneath the second acoustic driver, extends along the top portion of the housing to the distal end of the second leg portion of the neck loop where it turns to the bottom portion of the housing and extends along the second leg portion into the central portion of the neck loop where it turns to the top portion of the housing and extends into the first leg portion to the second sound outlet opening.

#### BRIEF DESCRIPTION OF THE DRAWINGS

- [0014] FIG. 1 is top perspective view of an acoustic device.  
 [0015] FIG. 2 is top perspective view of the acoustic device being worn by a user.  
 [0016] FIG. 3 is a right side view of the acoustic device.  
 [0017] FIG. 4 is front view of the acoustic device.  
 [0018] FIG. 5 is a rear view of the acoustic device.  
 [0019] FIG. 6 is top perspective view of the interior septum or wall of the housing of the acoustic device.  
 [0020] FIG. 7 is a first cross-sectional view of the acoustic device taken along line 7-7 in FIG. 1.  
 [0021] FIG. 8 is a second cross-sectional view of the acoustic device taken along line 8-8 in FIG. 1.  
 [0022] FIG. 9 is a third cross-sectional view of the acoustic device taken along line 9-9 in FIG. 1.  
 [0023] FIG. 10 is a schematic block diagram of the electronics for an acoustic device.  
 [0024] FIG. 11 is a plot of the sound pressure level at an ear of a dummy head, with the drivers of the acoustic device driven both in phase and out of phase.

#### DETAILED DESCRIPTION

[0025] The acoustic device directs high quality sound to the ears without direct contact with the ears, and without blocking ambient sounds. The acoustic device is unobtrusive, and can be worn under (if the clothing is sufficiently acoustically transparent) or on top of clothing.

[0026] In one aspect, the acoustic device is constructed and arranged to be worn around the neck. The acoustic device has a neck loop that includes a housing. The neck loop has a horseshoe-like shape, with two legs that sit over the top of the torso on either side of the neck, and a curved central portion that sits behind the neck. The device has two acoustic drivers one on each leg of the housing. The drivers are located below the expected locations of the ears of the

user, with their acoustic axes pointed at the ears. The acoustic device also has two waveguides within the housing, each one having an exit below an ear, close to a driver. The rear side of one driver is acoustically coupled to the entrance to one waveguide and the rear side of the other driver is acoustically coupled to the entrance to the other waveguide. Each waveguide has one end with the driver that feeds it located below one ear (left or right), and the other end (the open end) located below the other ear (right or left), respectively.

**[0027]** A non-limiting example of the acoustic device is shown in the drawings. This is but one of many possible examples that would illustrate the subject acoustic device. The scope of the invention is not limited by the example but rather is supported by the example.

**[0028]** Acoustic device **10** (FIGS. **1-9**) includes a horse-shoe-shaped (or, perhaps, generally “U”-shaped) neck loop **12** that is shaped, constructed and arranged such that it can be worn around the neck of a person, for example as shown in FIG. **2**. Neck loop **12** has a curved central portion **24** that will sit at the nape of the neck “N”, and right and left legs **20** and **22**, respectively, that depend from central portion **24** and are constructed and arranged to drape over the upper torso on either side of the neck, generally over or near the clavicle “C.” FIGS. **3-5** illustrate the overall form that helps acoustic device **10** to drape over and sit comfortably on the neck and upper chest areas.

**[0029]** Neck loop **12** comprises housing **13** that is in essence an elongated (solid or flexible) mostly hollow solid plastic tube (except for the sound inlet and outlet openings), with closed distal ends **27** and **28**. Housing **13** is divided internally by integral wall (septum) **102**. Two internal waveguides are defined by the external walls of the housing and the septum. Housing **13** should be stiff enough such that the sound is not substantially degraded as it travels through the waveguides. In the present non-limiting example, where the lateral distance “D” between the ends **27** and **28** of right and left neck loop legs **20** and **22** is less than the width of a typical human neck, the neck loop also needs to be sufficiently flexible such that ends **27** and **28** can be spread apart when device **10** is donned and doffed, yet will return to its resting shape shown in the drawings. One of many possible materials that has suitable physical properties is polyurethane. Other materials could be used. Also, the device could be constructed in other manners. For example, the device housing could be made of multiple separate portions that were coupled together, for example using fasteners and/or adhesives. And, the neck loop legs do not need to be arranged such that they need to be spread apart when the device is placed behind the neck with the legs draped over the upper chest.

**[0030]** Housing **13** carries right and left acoustic drivers **14** and **16**. The drivers are located at the top surface **30** of housing **13**, and below the expected location of the ears “E.” See FIG. **2**. Housing **13** has lower surface **31**. The drivers may be canted or angled backwards (posteriorly) as shown, as may be needed to orient the acoustic axes of the drivers (not shown in the drawings) generally at the expected locations of the ears of the wearer/user. The drivers may have their acoustic axes pointed at the expected locations of the ears. Each driver may be about 10 cm from the expected location of the nearest ear, and about 26 cm from the expected location of the other ear (this distance measured with a flexible tape running under the chin up to the most

distant ear). The lateral distance between the drivers is about 15.5 cm. This arrangement results in a sound pressure level (SPL) from a driver about three times greater at the closer ear than the other ear, which helps to maintain channel separation.

**[0031]** Located close to and just posteriorly of the drivers and in the top exterior wall **30** of housing **13** are waveguide outlets **40** and **50**. Outlet **50** is the outlet for waveguide **110** which has its entrance at the back of right-side driver **14**. Outlet **40** is the outlet for waveguide **160** which has its entrance at the back of left-side driver **16**. See FIGS. **7-9**. Accordingly, each ear directly receives output from the front of one driver and output from the back of the other driver. If the drivers are driven out of phase, the two acoustic signals received by each ear are virtually in phase below the fundamental waveguide quarter wave resonance frequency, that in the present non-limiting example is about 130-360 Hz. This ensures that low frequency radiation from each driver and the same side corresponding waveguide outlet, are in phase and do not cancel each other. At the same time the radiation from opposite side drivers and corresponding waveguides are out of phase, thus providing far field cancellation. This reduces sound spillage from the acoustic device to others who are nearby.

**[0032]** Acoustic device **10** includes right and left button socks or partial housing covers **60** and **62**; button socks are sleeves that can define or support aspects of the device’s user interface, such as volume buttons **68**, power button **74**, control button **76**, and openings **72** that expose the microphone. When present, the microphone allows the device to be used to conduct phone calls (like a headset). Other buttons, sliders and similar controls can be included as desired. The user interface may be configured and positioned to permit ease of operation by the user. Individual buttons may be uniquely shaped and positioned to permit identification without viewing the buttons. Electronics covers are located below the button socks. Printed circuit boards that carry the hardware that is necessary for the functionality of acoustic device **10**, and a battery, are located below the covers.

**[0033]** Housing **13** includes two waveguides, **110** and **160**. See FIGS. **7-9**. Sound enters each waveguide just behind/ underneath a driver, runs down the top side of the neck loop leg on which the driver is located to the end of the leg, turns 180° and down to the bottom side of the housing at the end of the leg, and then runs back up the leg along the bottom side of the housing. The waveguide continues along the bottom side of the first part of the central portion of the neck loop. The waveguide then twists such that at or close to the end of the central portion of the neck loop it is back in the top side of the housing. The waveguide ends at an outlet opening located in the top of the other leg of the neck loop, close to the other driver. The waveguides are formed by the space between the outer wall of the housing and internal integral septum or wall **102**. Septum **102** (shown in FIG. **6** apart from the housing) is generally a flat integral internal housing wall that has right leg **130**, left leg **138**, right end **118**, left end **140**, and central 180° twist **134**. Septum **102** also has curved angled diverters **132** and **136** that direct sound from a waveguide that is running about parallel to the housing axis, up through an outlet opening that is in the top wall of the housing above the diverter, such that the sound is directed generally toward one ear.

**[0034]** The first part of waveguide **110** is shown in FIG. 7. Waveguide entrance **114** is located directly behind the rear **14a** of acoustic driver **14**, which has a front side **14b** that is pointed toward the expected location of the right ear. Downward leg **116** of waveguide **110** is located above septum **102** and below upper wall/top **30** of the housing. Turn **120** is defined between end **118** of septum **102** and closed rounded end **27** of housing **12**. Waveguide **110** then continues below septum **102** in upward portion **122** of waveguide **110**. Waveguide **110** then runs under diverter **133** that is part of septum **102** (see waveguide portion **124**), where it turns to run into central housing portion **24**. FIGS. **8** and **9** illustrate how the two identical waveguides **110** and **160** run along the central portion of the housing and within it fold or flip over each other so that each waveguide begins and ends in the top portion of the housing. This allows each waveguide to be coupled to the rear of one driver in one leg of the neck loop and have its outlet in the top of the housing in the other leg, near the other driver. FIGS. **8** and **9** also show second end **140** of septum **102**, and the arrangement of waveguide **160** which begins behind driver **16**, runs down the top of leg **22** where it turns to the bottom of leg **22** and runs up leg **22** into central portion **24**. Waveguides **110** and **140** are essentially mirror images of each other.

**[0035]** In one non-limiting example, each waveguide has a generally consistent cross-sectional area along its entire length, including the generally annular outlet opening, of about 2 cm<sup>2</sup>. In one non-limiting example each waveguide has an overall length in the range of about 22-44 cm; very close to 43 cm in one specific example. In one non-limiting example, the waveguides are sufficiently long to establish resonance at about 150 Hz. More generally, the main dimensions of the acoustic device (e.g., waveguide length and cross-sectional area) are dictated primarily by human ergonomics, while proper acoustic response and functionality is ensured by proper audio signal processing. Other waveguide arrangements, shapes, sizes, and lengths are contemplated within the scope of the present disclosure.

**[0036]** An exemplary but non-limiting example of the electronics for the acoustic device are shown in FIG. **10**. In this example the device functions as a wireless headset that can be wirelessly coupled to a smartphone, or a different audio source. PCB **103** carries microphone **164** and mic processing. An antenna receives audio signals (e.g., music) from another device. Bluetooth wireless communication protocol (and/or other wireless protocols) are supported. The user interface can be but need not be carried as portions of both PCB **103** and PCB **104**. A system-on-a-chip generates audio signals that are amplified and provided to L and R audio amplifiers on PCB **104**. The amplified signals are sent to the left and right transducers (drivers) **16** and **14**, which as described above are open-backed acoustic drivers. The acoustic drivers may have a diameter of 40 mm diameter, and a depth of 10 mm, but need not have these dimensions. PCB **104** also carries battery charging circuitry that interfaces with rechargeable battery **106**, which supplies all the power for the acoustic device.

**[0037]** FIG. **11** illustrates the SPL at one ear with the acoustic device described above. Plot **196** is with the drivers driven out of phase and plot **198** is with the drivers driven in-phase. Below about 150 Hz the out of phase SPL is higher than for in-phase driving. The benefit of out of phase driving is up to 15 dB at the lowest frequencies of 60-70 Hz. The same effect takes place in the frequency range from about

400 to about 950 Hz. In the frequency range 150-400 Hz in-phase SPL is higher than out of phase SPL; in order to obtain the best driver performance in this frequency range the phase difference between left and right channels should be flipped back to zero. In one non-limiting example the phase differences between channels are accomplished using so-called all pass filters having limited phase change slopes. These provide for gradual phase changes rather than abrupt phase changes that may have a detrimental effect on sound reproduction. This allows for the benefits of proper phase selection while assuring power efficiency of the acoustic device. Above 1 KHz, the phase differences between the left and right channels has much less influence on SPL due to the lack of correlation between channels at higher frequencies.

**[0038]** Embodiments of the systems and methods described above comprise computer components and computer-implemented steps that will be apparent to those skilled in the art. For example, it should be understood by one of skill in the art that the computer-implemented steps may be stored as computer-executable instructions on a computer-readable medium such as, for example, floppy disks, hard disks, optical disks, Flash ROMs, nonvolatile ROM, and RAM. Furthermore, it should be understood by one of skill in the art that the computer-executable instructions may be executed on a variety of processors such as, for example, microprocessors, digital signal processors, gate arrays, etc. For ease of exposition, not every step or element of the systems and methods described above is described herein as part of a computer system, but those skilled in the art will recognize that each step or element may have a corresponding computer system or software component. Such computer system and/or software components are therefore enabled by describing their corresponding steps or elements (that is, their functionality), and are within the scope of the disclosure.

**[0039]** A number of implementations have been described. Nevertheless, it will be understood that additional modifications may be made without departing from the scope of the inventive concepts described herein, and, accordingly, other embodiments are within the scope of the following claims.

What is claimed is:

1. An acoustic device, comprising:

a neck loop that is constructed and arranged to be worn around at least a portion of a user's neck, the neck loop comprising a central portion and first and second depending portions that extend from the central portion;

a first acoustic driver in the first depending portion, wherein the first acoustic driver is constructed and arranged to radiate sound outwardly from both the first and second depending portions; and

a second acoustic driver in the second depending portion, wherein the second acoustic driver is constructed and arranged to radiate sound outwardly from both the first and second depending portions;

wherein over at least some of a frequency range of the acoustic drivers, the acoustic drivers are driven such that they radiate sound that is out of phase.

2. The acoustic device of claim 1, further comprising a first acoustic waveguide and a second acoustic waveguide.

3. The acoustic device of claim 2, wherein each acoustic waveguide carries sound from only one acoustic driver.



4. The acoustic device of claim 2, wherein each acoustic waveguide extends through the central portion of the neck loop.

5. The acoustic device of claim 4, wherein each acoustic waveguide further extends through at least some of both depending portions of the neck loop.

6. The acoustic device of claim 2, wherein the first acoustic driver is acoustically coupled to the first acoustic waveguide and not the second acoustic waveguide, and the second acoustic driver is acoustically coupled to the second acoustic waveguide and not the first acoustic waveguide.

7. The acoustic device of claim 6, wherein the first and second acoustic drivers each radiate sound from a front side and a back side, and where the same of either the front side or the back side of both transducers are acoustically coupled to the respective waveguides.

8. The acoustic device of claim 7, wherein the other of either the front side or the back side of both transducers are arranged to radiate sound directly outwardly from the neck loop.

9. The acoustic device of claim 8, further comprising a first sound outlet opening of the first waveguide and second sound outlet opening of the second waveguide.

10. The acoustic device of claim 9, wherein the first sound outlet opening is in the second depending portion and the second sound outlet opening is in the first depending portion.

11. The acoustic device of claim 10, wherein the first sound outlet opening is located proximate to the second acoustic driver and the second sound outlet opening is located proximate to the first acoustic driver.

12. The acoustic device of claim 2, further comprising a housing that carries both waveguides, wherein the first acoustic driver is recessed within the housing and has a first sound axis that is pointed generally at the expected location of one ear of the user, and the second acoustic driver is recessed within the housing and has a second sound axis that is pointed generally at the expected location of the other ear of the user.

13. The acoustic device of claim 1, further comprising a first acoustic waveguide and a second acoustic waveguide, wherein the first acoustic driver is acoustically coupled to the first acoustic waveguide and the second acoustic driver is acoustically coupled to the second acoustic waveguide.

14. The acoustic device of claim 13, further comprising a first sound outlet opening of the first waveguide and second sound outlet opening of the second waveguide, wherein the first sound outlet opening is located proximate to the second acoustic driver and the second sound outlet opening is located proximate to the first acoustic driver.

15. The acoustic device of claim 14, wherein each waveguide has one end with its corresponding acoustic driver located at one side of the head and in proximity to and below the adjacent ear, and another end that leads to its sound outlet opening, located at the other side of the head and in proximity to and below the other, adjacent ear.

16. The acoustic device of claim 14, further comprising a housing that carries both waveguides, where the housing has an exterior wall, the first sound outlet opening is defined in the exterior wall of the housing, and the second sound outlet opening is defined in the exterior wall of the housing.

17. The acoustic device of claim 1, wherein the first and second acoustic drivers each radiate sound from a front side and a back side, and wherein the first acoustic driver radiates sound from one of its front side and back side directly

outwardly from the first depending portion of the neck loop and the second acoustic driver radiates sound from one of its front side and back side directly outwardly from the second depending portion of the neck loop.

18. The acoustic device of claim 17, wherein the first acoustic driver radiates sound from the other of its front side and back side outwardly from the second depending portion of the neck loop and the second acoustic driver radiates sound from the other of its front side and back side outwardly from the first depending portion of the neck loop.

19. The acoustic device of claim 1, wherein the first acoustic driver has a first sound axis that is pointed generally at the expected location of one ear of the user, and the second acoustic driver has a second sound axis that is pointed generally at the expected location of the other ear of the user.

20. The acoustic device of claim 1, wherein over at least some of the frequency range of the acoustic drivers, the acoustic drivers are driven such that they radiate sound that is out of phase, and over at least some of the frequency range of the acoustic drivers, the acoustic drivers are driven such that they radiate sound that is in phase.

21. An acoustic device, comprising:

a neck loop that is constructed and arranged to be worn around at least a portion of a user's neck;

a first acoustic driver;

a second acoustic driver;

a first acoustic waveguide in the neck loop and having a first sound outlet opening; and

a second acoustic waveguide in the neck loop and having a second sound outlet opening;

wherein the first acoustic driver is constructed and arranged to radiate sound into the first acoustic waveguide and outwardly from the neck loop via the first sound outlet opening, but the first acoustic driver does not radiate sound into the second acoustic waveguide; and

wherein the second acoustic driver is constructed and arranged to radiate sound into the second acoustic waveguide and outwardly from the neck loop via the second sound outlet opening, but the second acoustic driver does not radiate sound into the first acoustic waveguide.

22. The acoustic device of claim 21, wherein each acoustic waveguide extends through the central portion of the neck loop and at least some of both depending portions of the neck loop.

23. The acoustic device of claim 21, wherein the first and second acoustic drivers each radiate sound from a front side and a back side, and where the same of either the front side or the back side of both transducers are acoustically coupled to the respective waveguides.

24. The acoustic device of claim 23, wherein the other of either the front side or the back side of both transducers are arranged to radiate sound directly outwardly from the neck loop.

25. The acoustic device of claim 21, wherein the first sound outlet opening is located proximate to the second acoustic driver and the second sound outlet opening is located proximate to the first acoustic driver.

26. The acoustic device of claim 25, wherein each waveguide has one end with its corresponding acoustic driver located at one side of the head and in proximity to and below the adjacent ear, and another end that leads to its sound

outlet opening, located at the other side of the head and in proximity to and below the other, adjacent ear.

**27.** The acoustic device of claim **21**, wherein the first and second acoustic drivers each radiate sound from a front side and a back side, and wherein the first acoustic driver radiates sound from one of its front side and back side directly outwardly from the first depending portion of the neck loop and the second acoustic driver radiates sound from one of its front side and back side directly outwardly from the second depending portion of the neck loop.

**28.** The acoustic device of claim **27**, wherein the first acoustic driver radiates sound from the other of its front side and back side outwardly from the second depending portion of the neck loop and the second acoustic driver radiates sound from the other of its front side and back side outwardly from the first depending portion of the neck loop.

\* \* \* \* \*